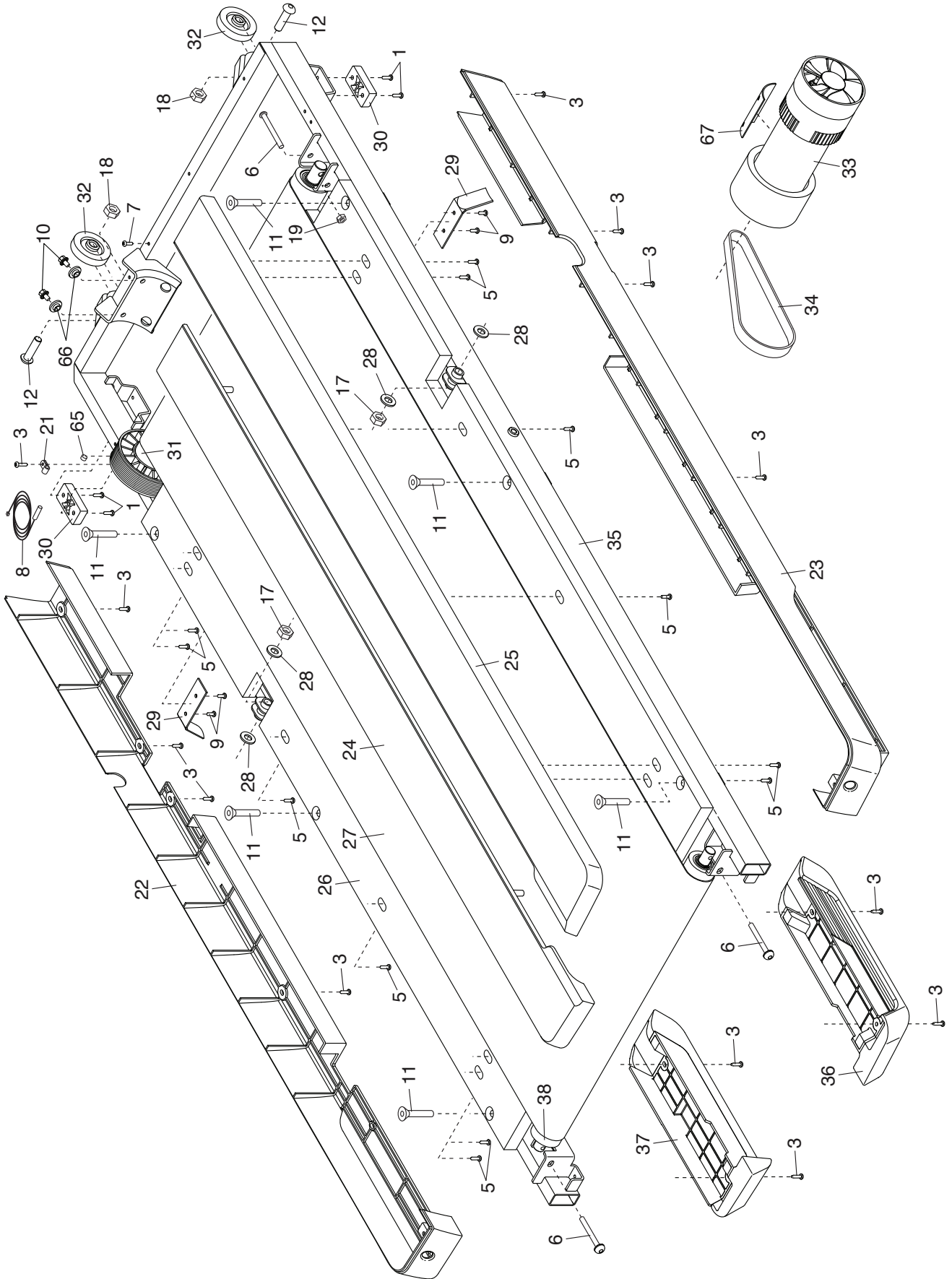


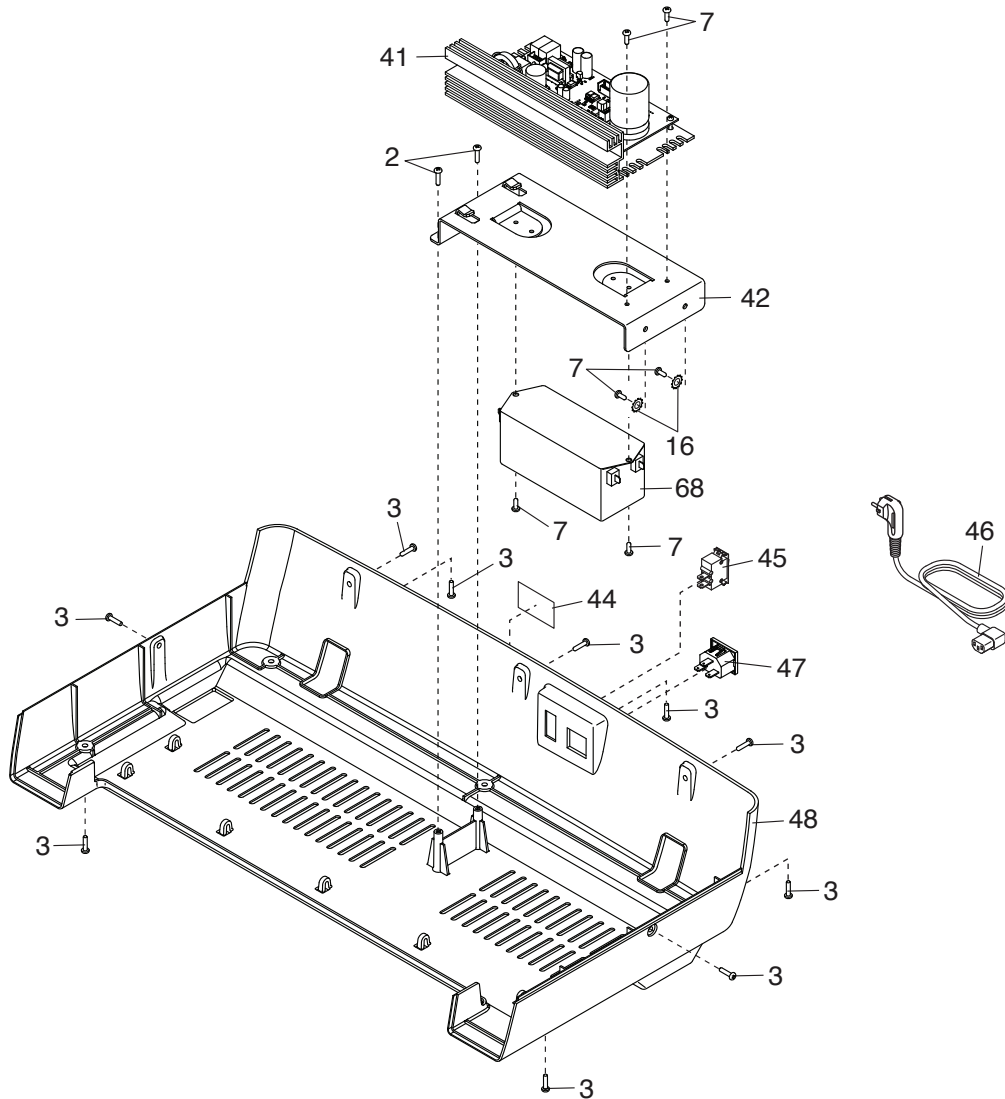
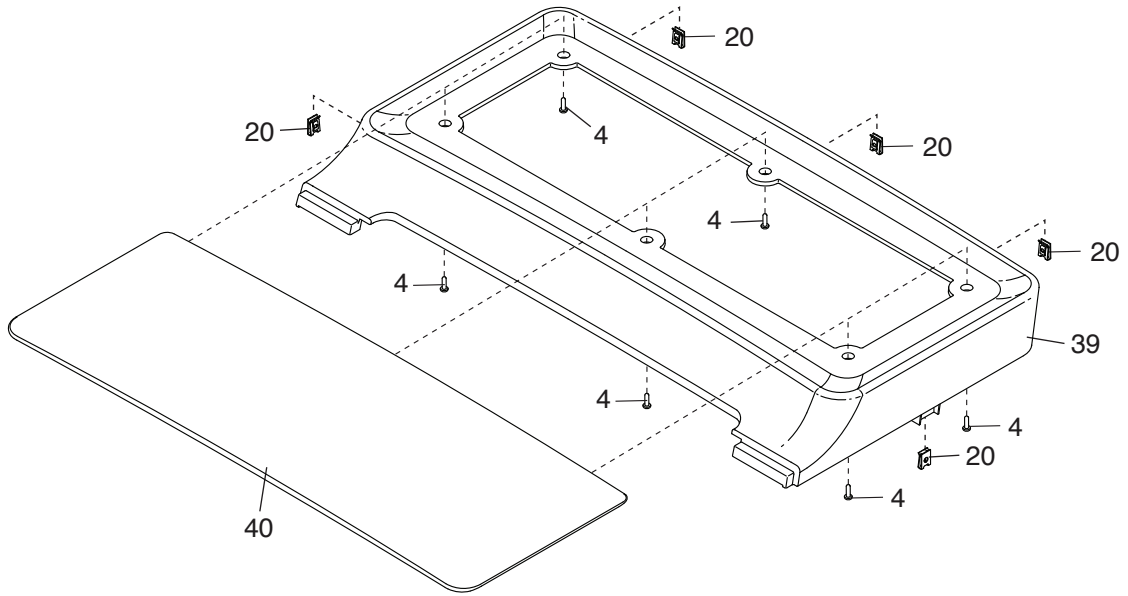
EXPLODED DRAWING A

Model No. PFTL28820-INT.0 R1120A



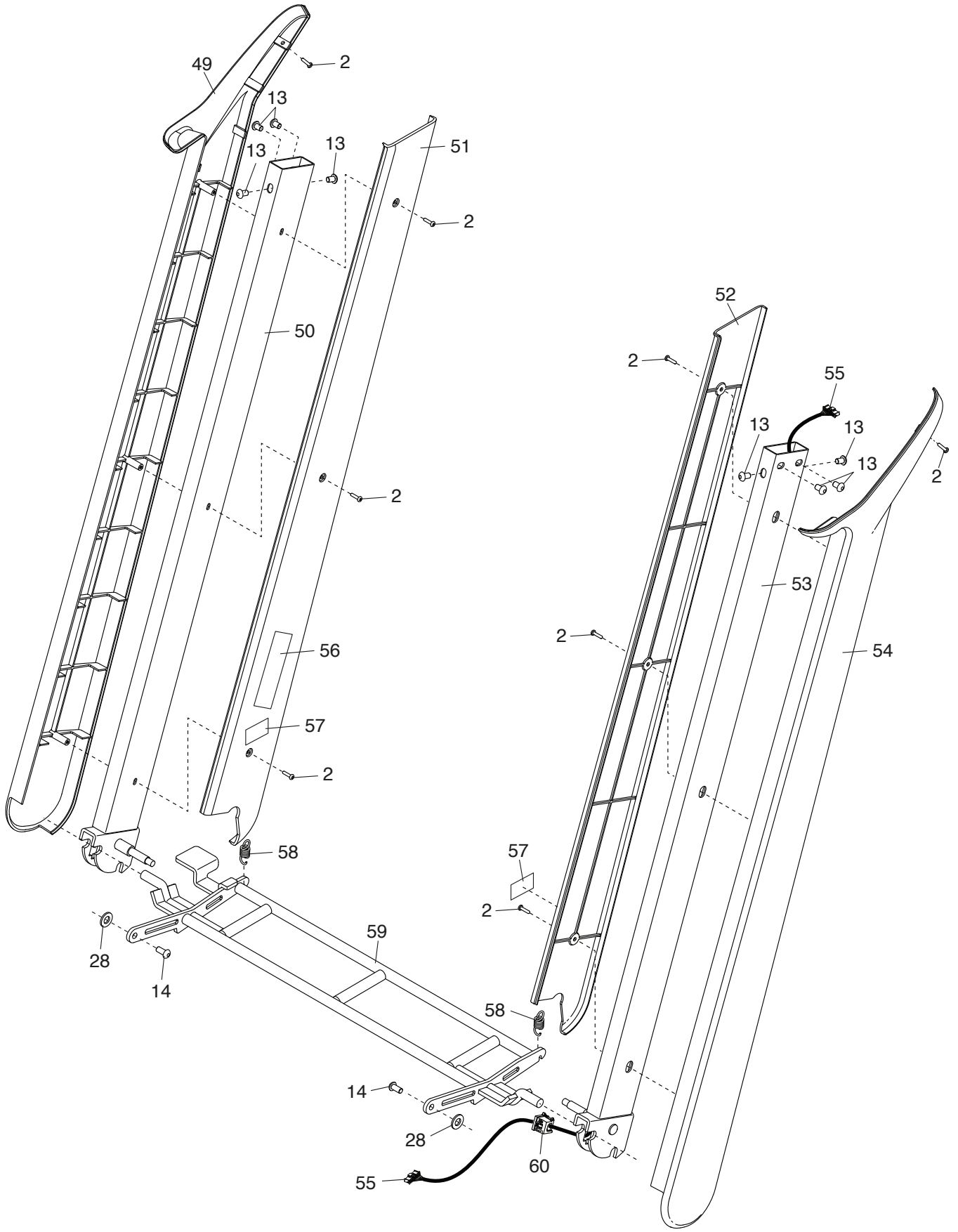
EXPLODED DRAWING B

Model No. PFTL28820-INT.0 R1120A



EXPLODED DRAWING C

Model No. PFTL28820-INT.0 R1120A



EXPLODED DRAWING D

Model No. PFTL28820-INT.0 R1120A

